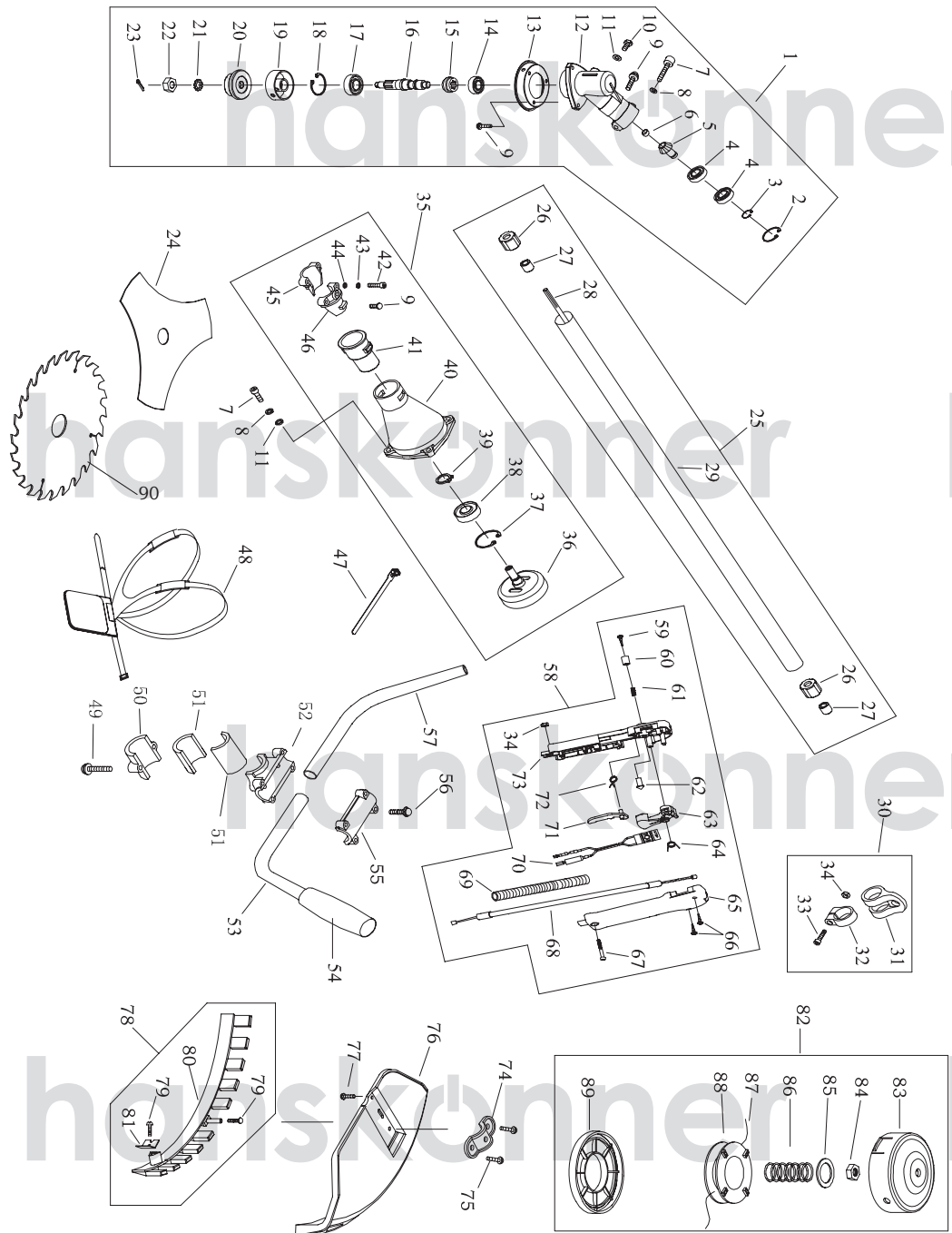
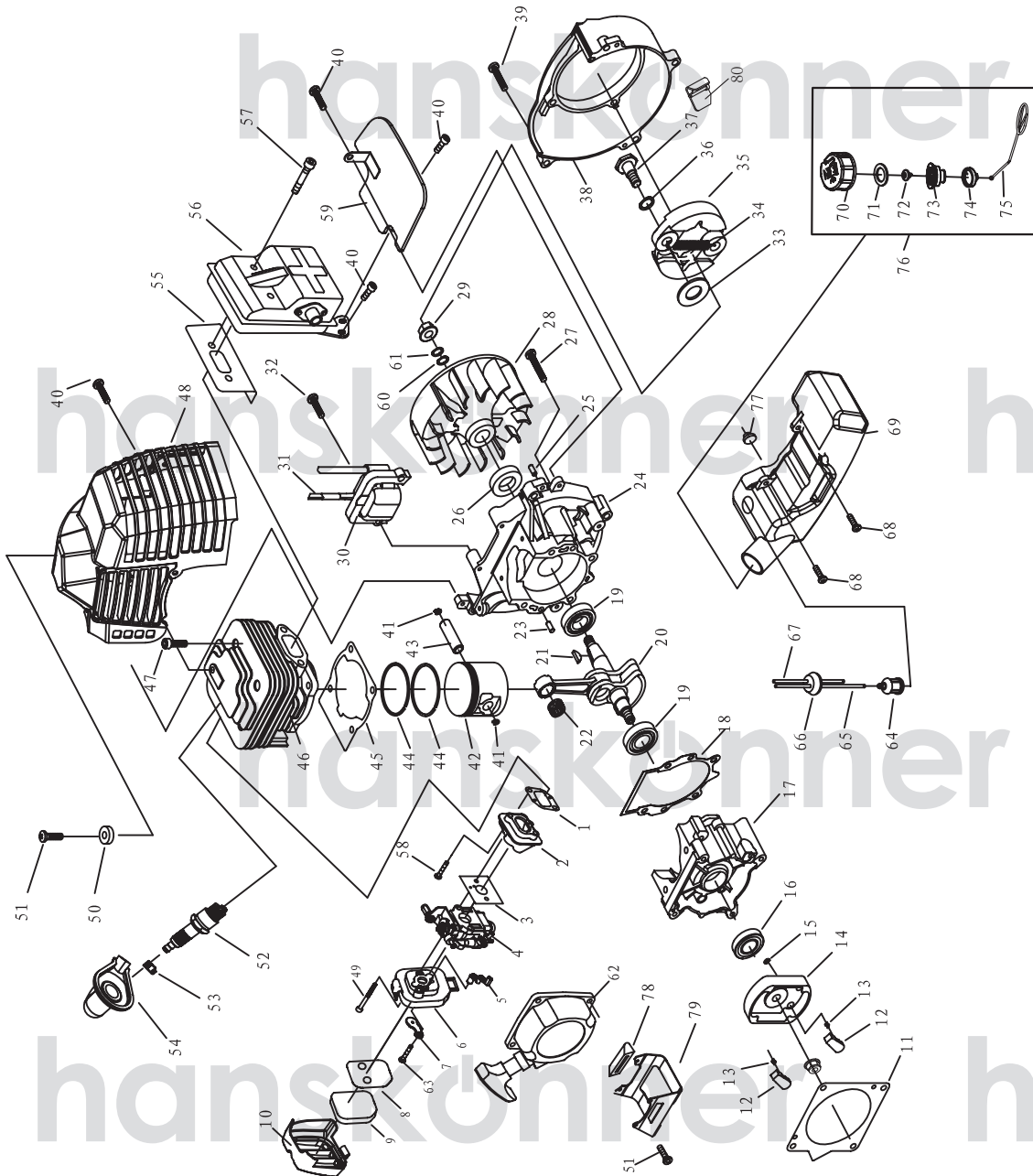


**HBT8926D HBT8933D HBT8942D HBT8952D**



No.	DESCRIPTION	No.	DESCRIPTION	No.	DESCRIPTION
1	GEAR CASE ASS'Y	31	HARNESS CLAMP	61	SPRING
2	STOP RING 26	32	CLAMP	62	LOCK PIN
3	STOP RING 10	33	SCREW M5X20	63	HAND GRIP
4	BEARING 600-2RS/P5	34	NUT M5	64	SPRING
5	PINION	35	CLUTCH COMP.	65	BOX,RIGHT
6	STEEL CAP	36	CLUTCH DRUM COMP.	66	SCREW ST2.9X18
7	SCREW M6X20	37	STOP RING 35	67	SCREW M5X30
8	WASHER 6	38	BEARING 6202-2RS/P5	68	CABLE COMP.
9	SCREW M5X12	39	STOP RING 15	69	TUBE
10	BOLT M6X12	40	LINKER	70	STOP BUTTON COMP.
11	WASHER 6	41	RUBBER COVER	71	HAND GRIP
12	GEAR CASE	42	SCREW M5X25	72	SPRING
13	SAFELY GUARD	43	WASHER 5	73	BOX,LEFT
14	BEARING 6000/P5	44	WASHER 5	74	SAFETY GUARD BRACKET
15	GEAR	45	CLAMP B	75	SCREW M5X12
16	GEAR SHAFT	46	CLAMP A	76	SAFELY GUARD
17	BEARING 6002-2RS/P5	47	WIRE CLAMP BAND	77	SCERW M5X16
18	STOP RING 32	48	HARNESS ASS'Y	78	GUARD COMP.
19	HOLDER A	49	SCREW M6X25	79	SCREW ST4.2X16
20	HOLDER B	50	CAP,LOWER	80	GUARD
21	WASHER 10	51	RUBBER WASHER	81	BLADE
22	LEFT NUT	52	BRACKET	82	NYLON CUTTER HEAD
23	PIN 2X16	53	HANDLE	83	CASE
24	3T BLADE	54	GRIP LEFT	84	LEFT NUT A
25	PIPE COMP.	55	CAP,UPPER	85	WASHER
26	RUBBER COVER	56	BOLT M5X25	86	SPRING
27	OIL-BEARING	57	HANDLE	87	CORD
28	DRIVE SHAFT	58	LEVER ASS'Y	88	CORD HOLDER
29	PIPE	59	SCREW ST2.9X9.5	89	COVER
30	HOLDER ASS'Y	60	BUTTON	90	WHEEL BLADE(ONLY FOR HBT8952D)

**Engine for  
HBT8926D HBT8933D HBT8942D HBT8952D**



NO.	DESCRIPTION	NO.	DESCRIPTION
1	GASKET	41	RING
2	ADMITTING PIPE	42	PISTON
3	GASKET	43	PISTON PIN
4	CARBURETOR	44	PISTON RING
5	CHOKER HANDLE	45	GASKET
6	CLEANER INSIDE COVER	46	CYLINDER
7	CHOKER	47	SCREW
8	FILTER PLATE	48	GUIDE COVER ASS'Y
9	FILTER NET	49	SCREW
10	CLEANER OUTSIDE COVER	50	GASKET
11	GASKET	51	SCREW
12	START CLAW	52	PLUG
13	START SPRING	53	GASKET
14	START REEL	54	CAP
15	STOP RING	55	GASKET
16	SEAL	56	MUFFLER
17	CRANK CASE	57	SCREW
18	GASKET	58	SCREW
19	BEARING 6202	59	CLAPBOARD
20	CRANK SHAFT	60	WASHER
21	KEY	61	WASHER
22	NEEDLE BEARING	62	STARTER
23	PIN	63	SCREW
24	CRANK CASE	64	FUEL FILTER
25	PIN	65	FUEL PIPE
26	SEAL	66	PLUG
27	SCREW	67	PUEL PIPE
28	FLY WHEEL	68	SCREW
29	NUT	69	FUEL TANK
30	COIL	70	FUEL TANK LID
31	CORD COMP.	71	GASKET
32	SCREW	72	INLET
33	WASHER	73	INSIDE COVER
34	SPRING	74	COVER
35	EXPANDER	75	CHAIN
36	WASHER	76	FUEL TANK LID COMP.
37	SCREW PIN	77	RUBBER WASHER
38	FAN COVER	78	RUBBER COVER
39	SCREW	79	STAND
40	SCREW	80	FLASH PAN(OLNY FOR HBT8926D HBT8933D)